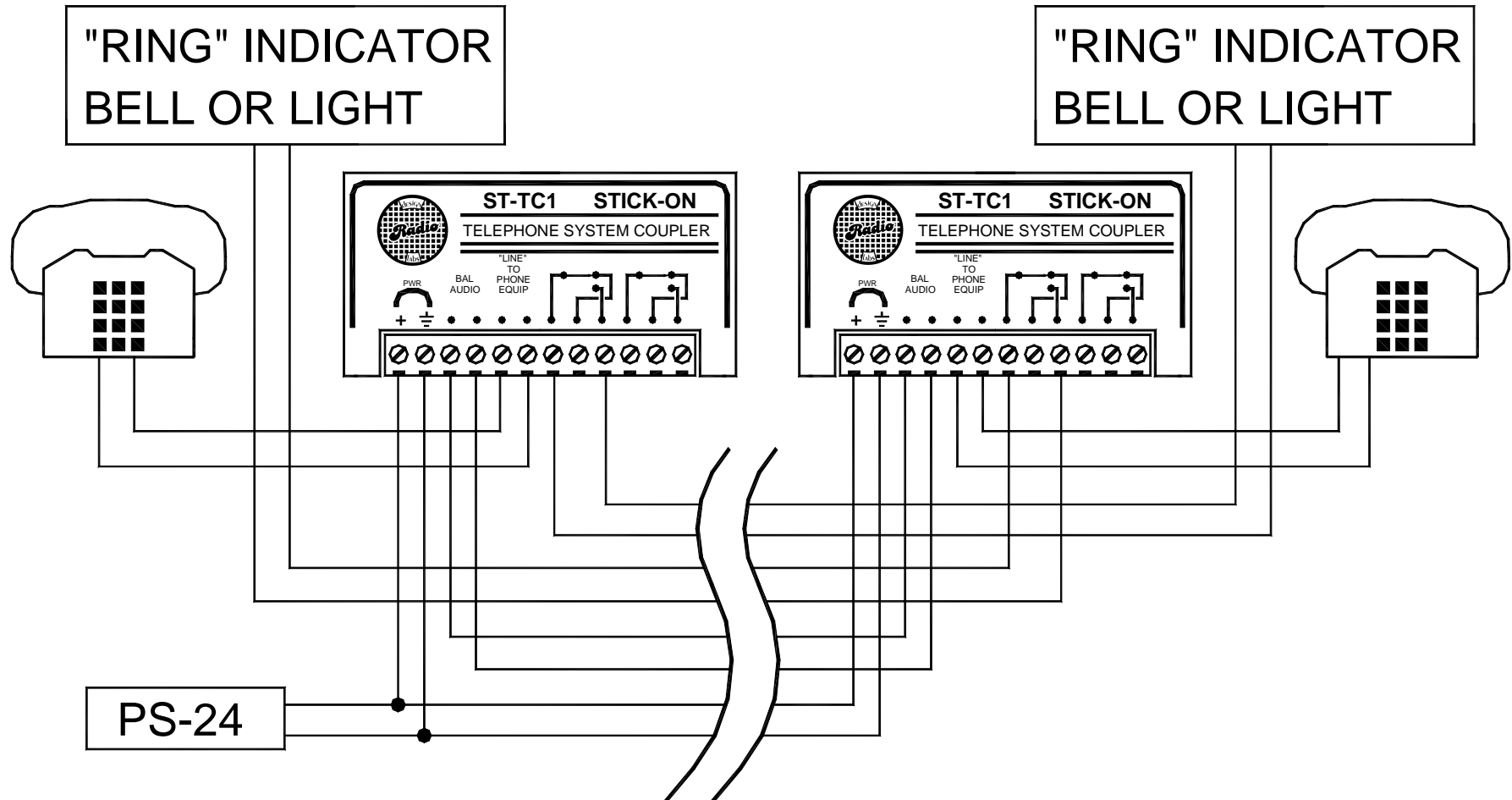


This application shows a two phone system. The ST-TC1 provides biasing for operating a standard telephone, a circuit for detecting “off hook” condition, a transformer coupled output, and DPDT relay contacts which switch when “off hook” is detected. These features may be used to develop a “silent ring” intercom system for use in stage and studio environments where an audible ring would not be acceptable. Each telephone instrument requires a single ST-TC1. A twisted pair connects audio between the two modules. The additional pairs carry the annunciation (lamp, flasher, etc.) actuation closure. The annunciation device is active whenever the opposite phone is “off hook”.



### 8 CONDUCTORS TO CONNECT TWO LOCATIONS

RDL PRODUCTS